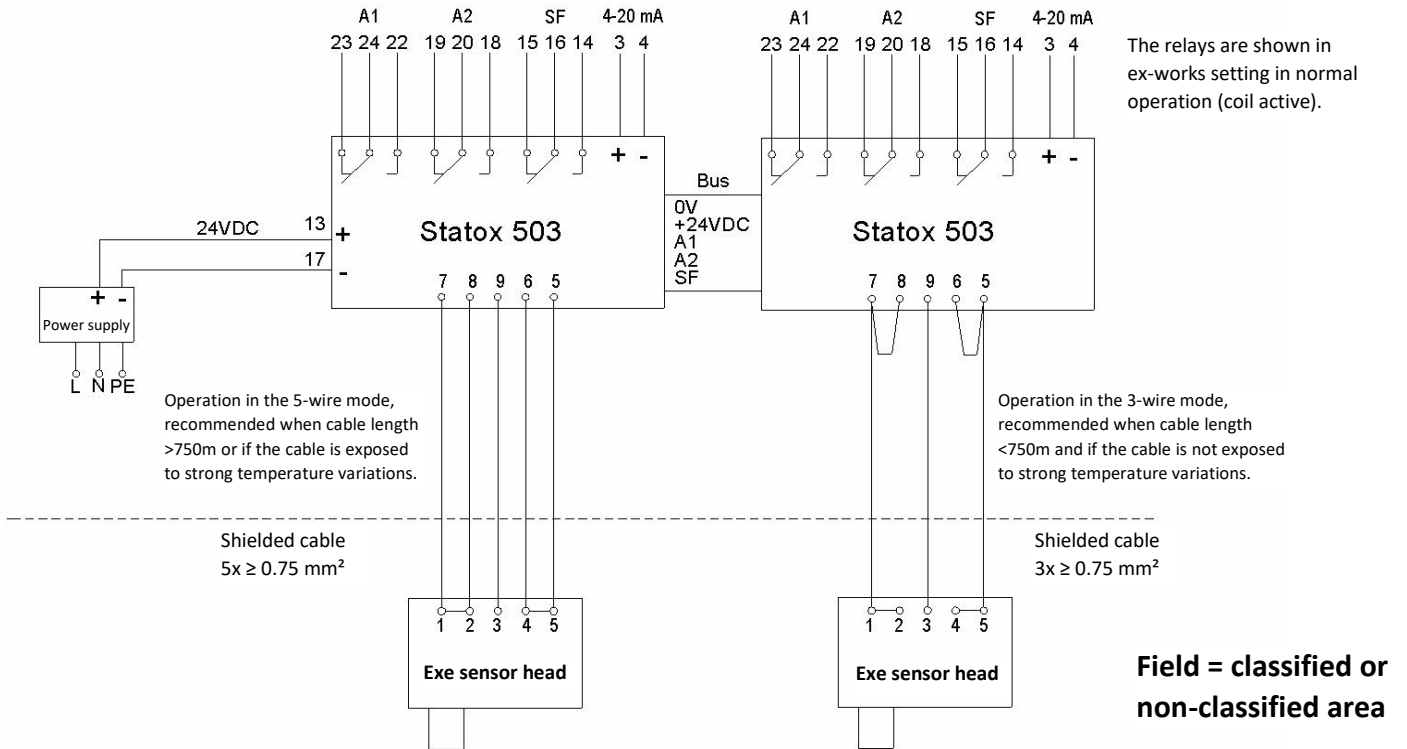


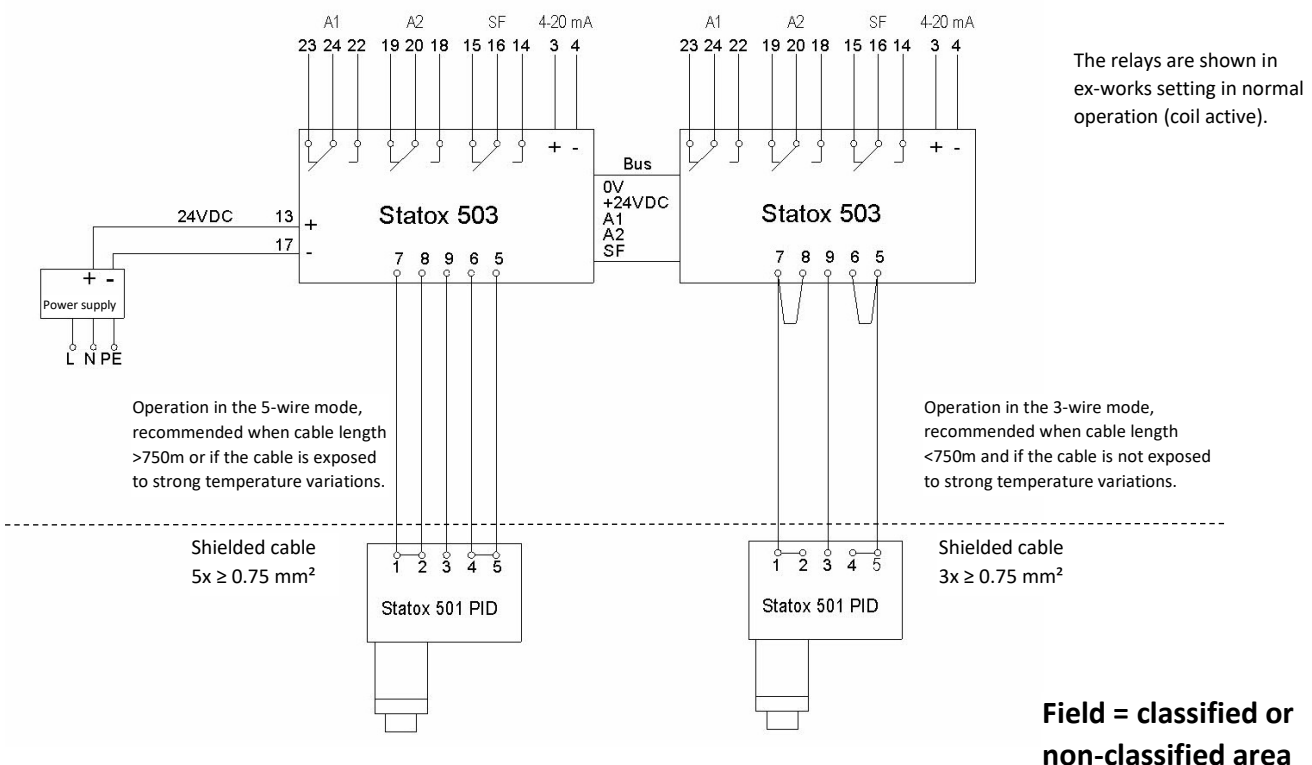
## Connecting Statox 501 sensor heads HRC, ARE, LRC, LCIR, MCIR and CO<sub>2</sub> to the Statox 503 Control Module

Observe the information in the respective manuals concerning installation, wiring and start-up!



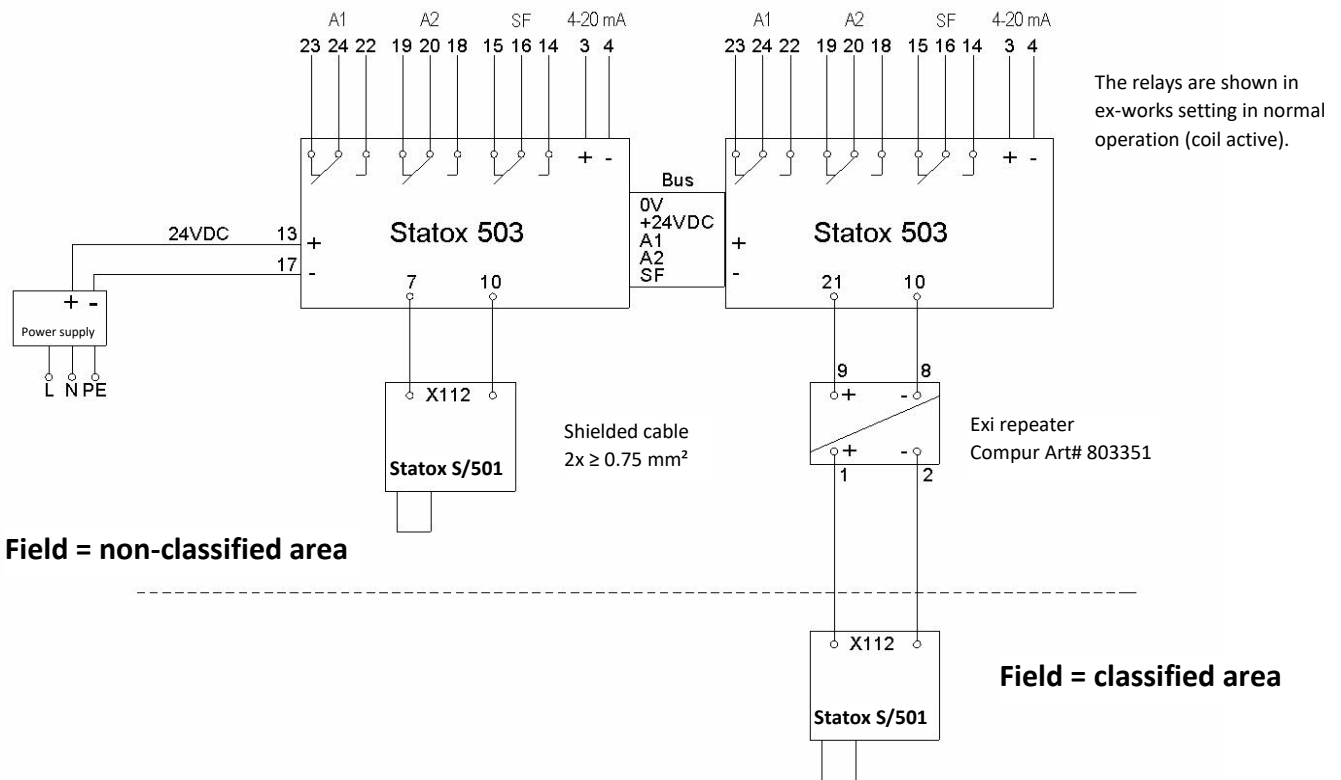
## Connecting Statox 501 PID sensor heads to the Statox 503 Control Module

Observe the information in the respective manuals concerning installation, wiring and start-up!



## Connecting Statox S/501 sensor heads for toxic gases and O<sub>2</sub> to the Statox 503 Control Module

Observe the information in the respective manuals concerning installation, wiring and start-up!



## Connecting Statox 501 Infratox sensor heads to the Statox 503 Control Module

Observe the information in the respective manuals concerning installation, wiring and start-up!

